



CENTRAL VETERINARY RESEARCH LABORATORY

Scientific Director: Priv. Doz. Dr. Dr. habil Ulrich Wernery

Central Veterinary Research Laboratory
P.O. Box 597, Dubai, UAE
Tel: +971 4 337 5165
Fax: +971 4 336 8638
Email: cvrl@cvrl.ae
Web: www.cvrl.ae

REQUIREMENT FOR PACKING AND DESPACH OF BIOLOGICAL MATERIALS TO THE INSTITUTE OF CENTRAL VETERINARY RESEARCH LABORATORY, DUBAI, UAE FROM OVERSEAS

In order to achieve the safe and speedy passage of biological material from overseas countries to the CVRL it is necessary to pack and send the material according to the following instructions.

1. CONTENTS

- Before selecting biological material the sender should check with CVRL about the samples required and the conditions for dispatch.
- The parcel must only contain material that is to be processed at CVRL, as none of the contents can be sent to other laboratories from the CVRL.

2. PACKING

The material must be packed so that all the samples arrive in good condition and do not present any hazard to persons or animals during shipment. It is therefore essential that the contents of containers, which break or leak *in transit*, do not contaminate the outside layer of the parcel.

- Irrespective of the mode of transport, all specimens must be packaged so that they fully comply with the requirements of **relevant Post Office** or **International Air Transport Association (IATA) regulations**.
- All inner and outer packaging must be swabbed with suitable disinfectant before leaving the country of origin.

Packing without dry ice

- The material must be put into **watertight primary containers** (glass or plastic tubes or bottles) and each container must be wrapped individually to prevent contact with other containers. Screw cap tubes or bottles must be reinforced with adhesive tape.
- The primary containers must be packed in **watertight secondary packaging**, which should be a strong crushproof and leak-proof plastic or metal container, with **absorbent material** that can absorb the entire contents of all the primary containers.
- The secondary package must be enclosed in a waterproof envelope between the secondary packaging and the outer packaging.
- A list of contents should be enclosed in a waterproof envelope between the secondary packaging and the outer packaging.
- Only sealed freezer packs should be used if it is necessary to keep samples cold.

Packing with dry ice

- The parcel must be packed as described above and the dry ice must be placed outside the secondary packing.
- The secondary packaging must be fixed inside the outer packaging so that it remains in position after the dry ice has evaporated to minimize the risk of breakage of the sample containers.
- The outer packaging must allow the release of carbon dioxide gas.

3. LABELLING

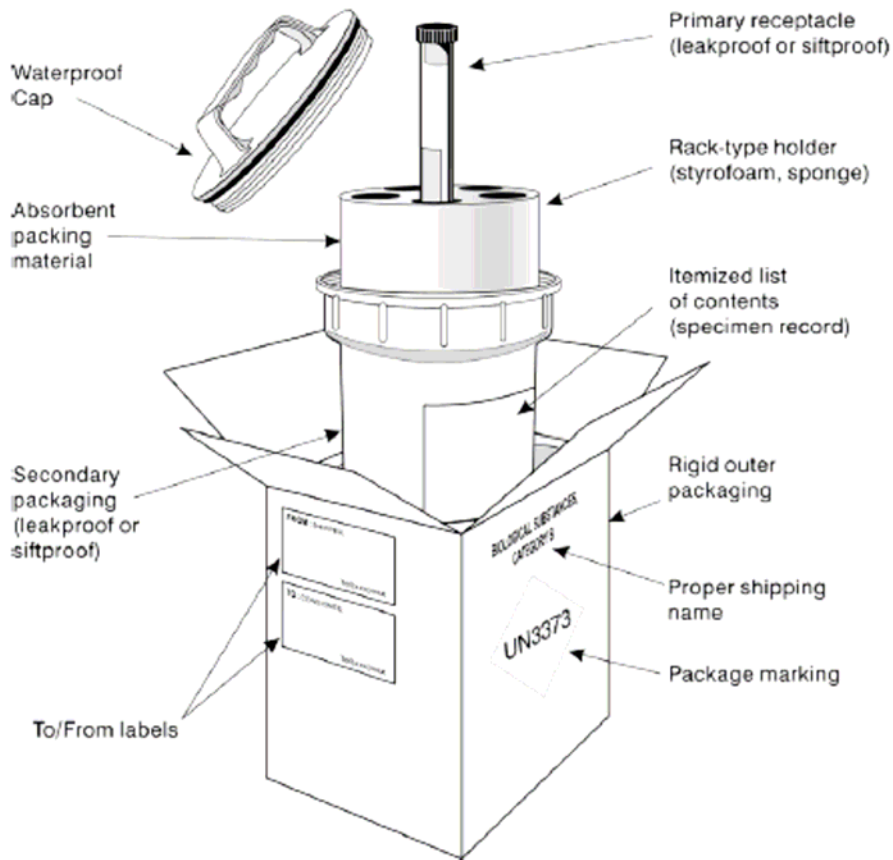
The outer packaging of the parcel must be clearly labeled with the following information:

- The name and address of the institute
- The name and telephone number of the person responsible for sending the parcel
- Infectious substance hazard label (if necessary)
- Flight number
- Airway Bill Number
- Dry Ice label (if necessary)

4. DESPATCH

- All biological material **MUST** be sent by **AIRFREIGHT** to Dubai International Airport (DXB)

**Example of Packing and Marking for Category B Infectious Substances
(See Packing Instruction 650 for additional requirements)**



**Example of Packing and Marking for Category A Infectious Substances
(See Packing Instruction P602 for additional requirements)**

